

product specifications for:

# Straight Adapters

## Item #: S30-15

### Description

Straight Adapter 30A 125V Male Locking to 15A 125V Female Straight Blade with LED Power Indicator

### Electrical Specifications

Max. Amperage: 15A  
Max. Voltage: 125V

### Material Specifications

Shell: Nylon  
Contacts: Nickel-Plated Brass  
Terminals: Nickel-Plated Brass  
Terminal Screws: Nickel-Plated Brass  
Plug Bodies: Nylon  
Assembly Screws: Stainless Steel  
Max. Temperature: 125°C

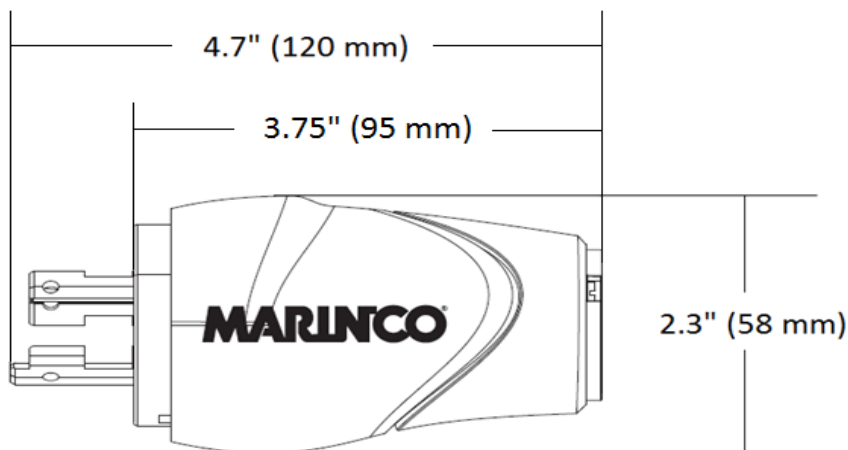
### Mechanical Specification

Connection Type(s): NEMA 5-15R Straight Blade  
NEMA L5-30P Twist-Lock



### Standards and Certifications

CSA Listed: File 081290\_0\_000



15 or 20A 125V  
Straight Blade



30A 125V  
Locking