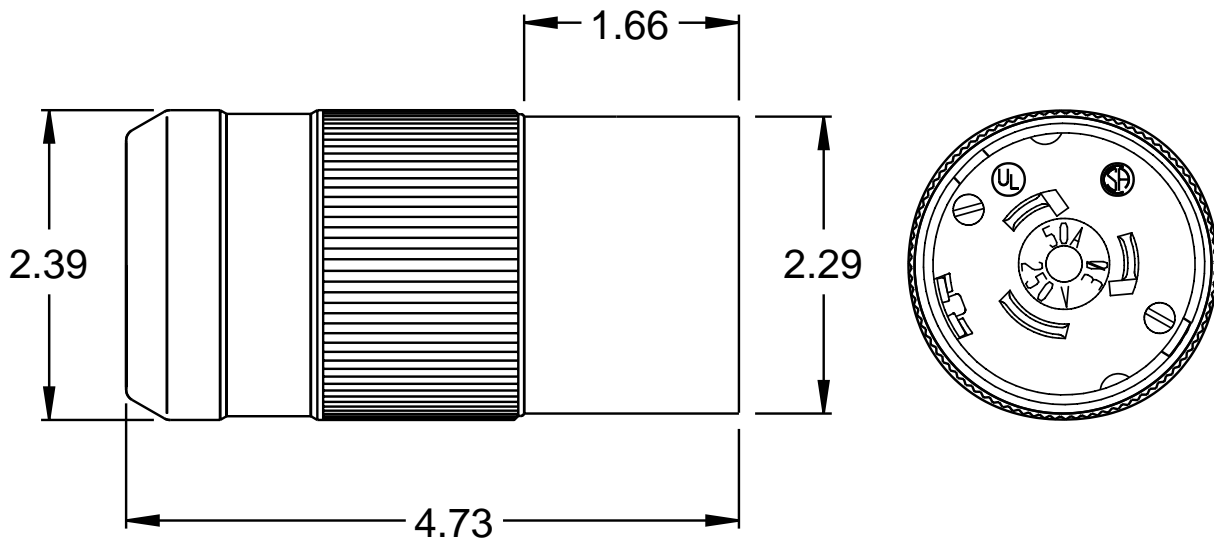


Web site: [www.marinco.com](http://www.marinco.com)  
Phone: 800-307-6702  
Date: December, 2012 Rev: 00

Plug, locking  
50A, 250V 3Φ

### Catalog Number: CS8365N

Item: Plug, locking  
Rating: 50 amperes, 250 volts, three-phase, 3-pole, 4-wire.  
Materials: All rigid plastic parts are nylon with CTI greater than 600 volts.  
Color: Black housing  
Terminals: Terminals have 5/16" screws with Perma-Lock™ collar to encapture the wire strands. The terminal screw does not bear down on the wire.  
Cord Clamp: Internal, self centering  
Accommodates cable up to 1.2" (6/4 S).  
Overall Design: Two assembly screws  
Dust seal at cord entry  
Beveled housing  
Operating Temp.: -40°C to +75°C (without impact).  
Listings: UL listed, File E57672  
CSA certified, File LR81290  
Dimensions:



Dimensions shown in inches