

Web site: [www.marinco.com](http://www.marinco.com)

Phone: 800-307-6702

Date: July, 2011

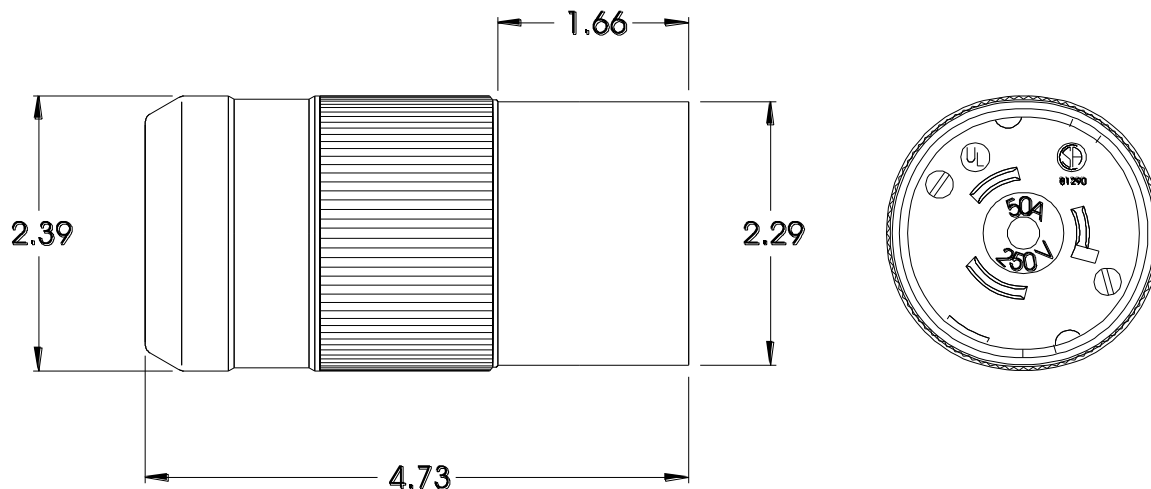
Rev: 01

Plug, locking  
50A, 250V  
2-pole, 3-wire

### Catalog Number: CS8265N

Item: Plug, locking  
Rating: 50 amperes, 250 volts, 2-pole, 3-wire  
Materials: Plastic parts are nylon with CTI greater than 600 volts.  
Terminals: Terminals have 5/16" screws with self-locking Perma-Lock™ collar to encapture the wire strands. The terminal screw does not bear down on the wire.  
Cord Clamp: Internal, self centering.  
Accommodates cable up to 1.2" (6/3 S).  
Overall Design: Two assembly screws.  
Dust seal at cord entry.  
Beveled housing.  
Listings: UL listed, File E57672  
CSA certified, File LR81290

#### Dimensions:



Dimensions shown in inches