

product specifications for:
CLS Series 18 Inline Cams

Item #: CLS1820MB

Description

MALE CLS SERIES 18 INLINE #2 - 2/0 AWG

Electrical Specifications

Max. Amperage: 300A with 2/0 AWG
Max. Voltage: 600V AC/DC

Material Specifications

Housing Material: Santoprene TPV
Contact Material: Brass
Temperature Rating: -40°C to 105°C

Mechanical Specification

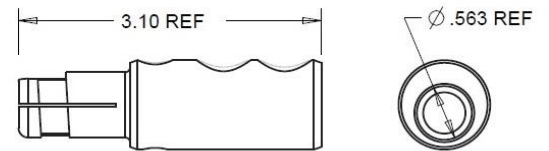
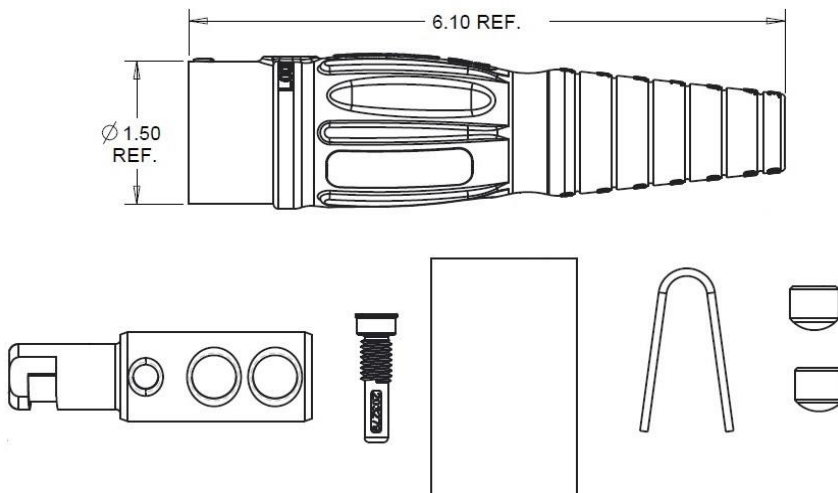
Gender: Male
Connection Type: Double Set Screw
(Torque to 160 in-lbs.)
Retaining Screw: Glass Filled / Heat Stabilized Nylon

Example: **CLS1820MB + A = CLS1820MB-A**



Standards and Certifications

UL Listed: File E111198
CSA Certified: 0812900000
Environmental Rating: Type 3R & 4



SHOWN FOR SIZING

