

Web site: www.marinco.com

Phone: 800-307-6702

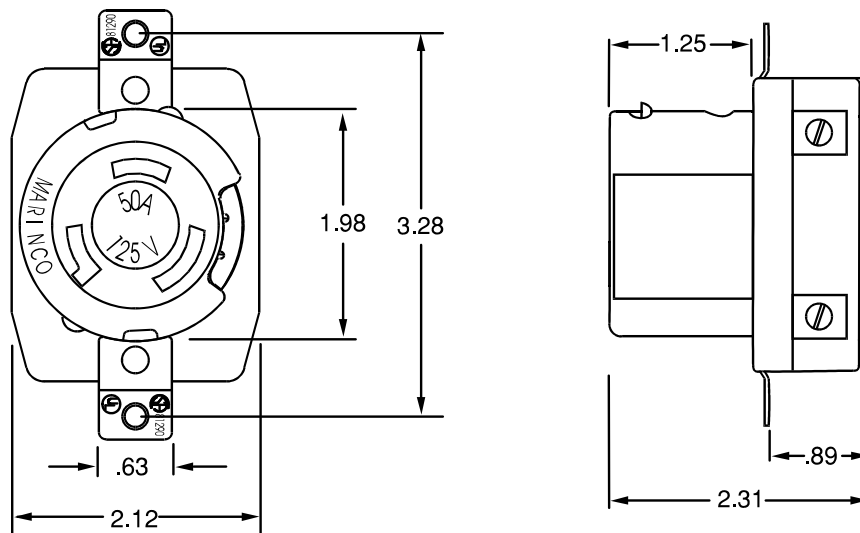
Date: April, 2011 Rev: 02

Receptacle
50A, 125V
2-Pole, 3-Wire

Catalog Number: 6370CR

- Item: Receptacle, locking, corrosion-resistant
- Rating: 50 amperes, 125 volts, 2-pole, 3-wire.
- Configuration: NEMA SS-1
- Materials: All plastic parts are black, glass-filled, heat resistant nylon with a UL flammability rating of 94V-0.
All metal parts are nickel-plated brass, except mounting screws, which are stainless steel.
- Terminals: Terminals have 5/16" screws with Perma-Lock™ collar to encapture the wire strands. The terminal screw does not bear down on the wire.
- Contacts: Solid brass, two-piece construction, secured by two solid rivets. Rigid half is 0.10" thick. Spring half is 0.04" thick.
- Listings: UL listed, File E111198
CSA certified, File LR81290

Dimensions:



Dimensions shown in inches