

product specifications for:

Flanged Inlet

Item #: 5278DRI-TM.OEM

Description

Flanged Inlet, dust resistant

Electrical Specifications

15 amperes, 125 volts, NEMA Configuration 5-15P

Material Specifications

Housing Material: Nylon

Contact Material: Brass

Cover: Molded flexible vinyl

Terminals

Brass, lug style, Perma-Lock™ design. Terminals visible through clear end cap.

Terminal Identification

Terminal screws are color coded. Ground wire entrance hot stamped green and marked "GR".
Line wire entrance hot stamped black.

Mechanical Specification

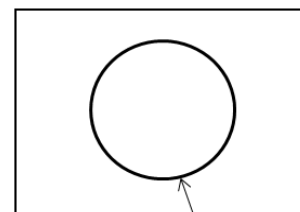
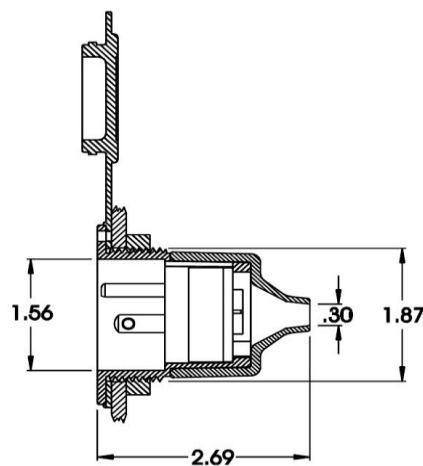
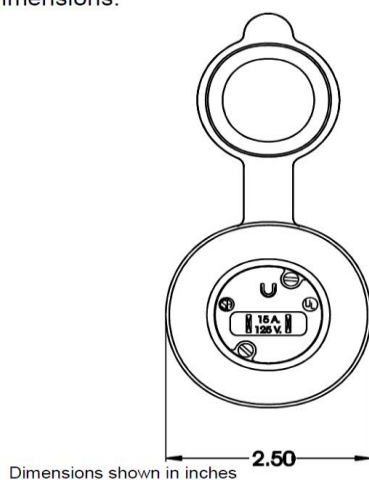
Overall Design: 1½" conduit locknut for rear mount (provided).

Listings

UL listed, File E57672

CSA certified, File 81290_0_000

Dimensions:



1-7/8" (1.875")
Mounting hole
diameter



MARINCO