

product specifications for:

Flanged Inlet

Item #: 306FI

Description
Flanged Inlet

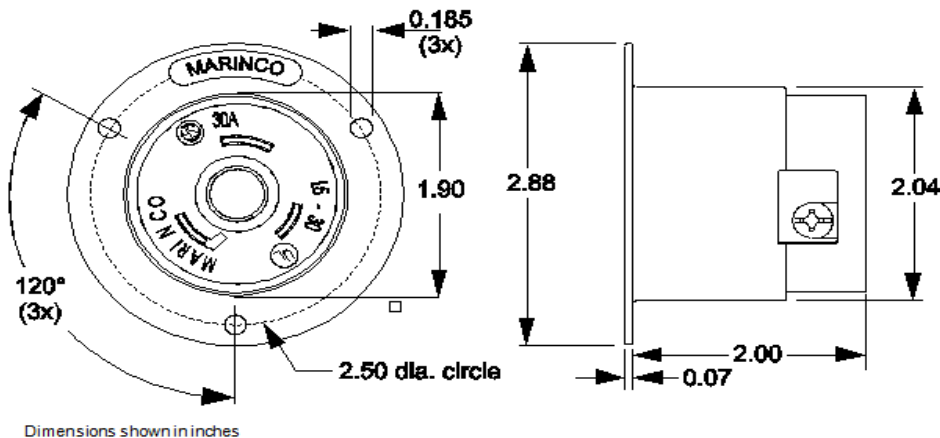
Electrical Specifications
30 amperes, 250 volts, NEMA Configuration L6-30P

Material Specifications
Housing Material: Nylon
Plug body: Nylon
Contact Material: Brass

Terminals
Brass, lug style, Perma-Lock™ design. Terminals visible through clear end cap.

Terminal Identification
Ground wire entrance hot stamped green and marked 

Listings
UL listed, File E111198
CSA certified, File 81290_0_000



MARINCO